



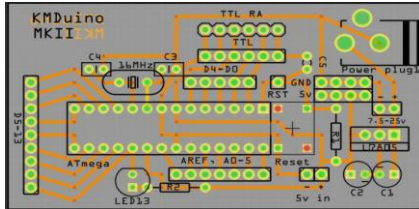
ZS6KMD Projects by Kevin Mc Donald

Telephone: +27 82 447 0276
 Email: projects@zs6kmd.za.net
 Web: www.zs6kmd.za.net/projects

NOTE: Prices do not include Shipping or Postage

Sketches for ZS6KMD Projects and Kits available in the Downloads section on the website

Catalogue & Price List

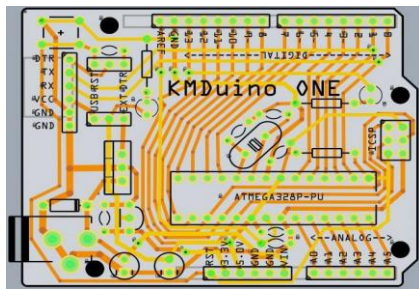


KMDuino MKII

The KMDuino MKII is a mini Arduino clone based on the Arduino Uno R3. All full functionality and compatibility is built in to the design. Programming is done via TTL pins located on the side using a standard USB-TTL converter.

The kit comes complete with all components, PCB & instruction manual

Price: R 209.65

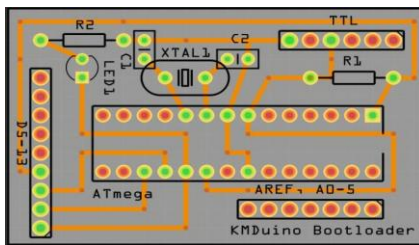


KMDuino ONE

The KMDuino ONE is an exact to scale size clone of the Arduino UNO R3. All full functionality and compatibility is built in to the design with the added feature of 3.3V regulator for low voltage circuits. Programming is done via TTL pins on the rear of the KMDuino ONE.

The kit comes complete with all components, PCB & instruction manual

Price: R 238.96

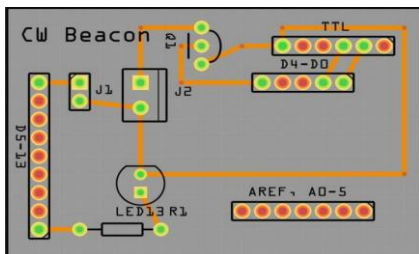


KMDuino Bootloader Shield

The KMDuino Bootloader Shield plugs directly on top of the KMDuino MKII to provide a facility to program blank Atmega 328 chips with a bootloader.

The kit comes complete with all components, PCB & instruction manual

Price: R 114.00

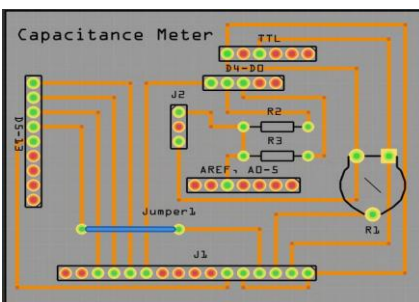


KMDuino CW Beacon Shield

The KMDuino CW Beacon Shield plugs in on top of the KMDuino MKII to provide a fully customisable CW beacon allowing for callsign, grid square and random text to be set in the sketch, timing can be customised to allow for the beacon to transmit every "X" seconds.

The kit comes complete with all components, PCB & instruction manual

Price: R 114.00

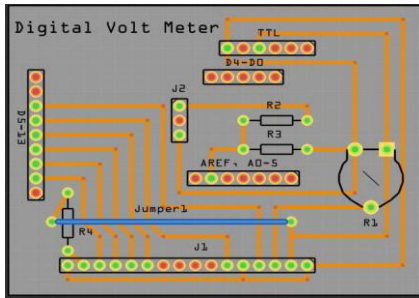


KMDuino Capacitance Meter Shield

The KMDuino Capacitance Meter Shield plugs in on top of the KMDuino MKII to provide a digital capacitance meter capable of accurately measuring caps from 1nF to 999.0uF. A useful tool for any electronic workbench. The Capacitance Shield comes with a 16X2 LCD display incorporating LED backlight.

The kit comes complete with all components, PCB & instruction manual

Price: R 265.00

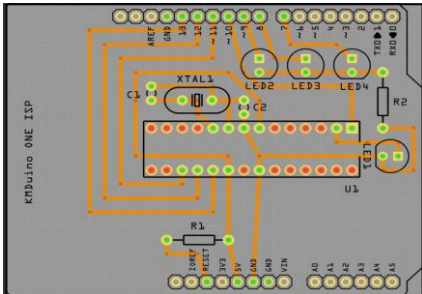


KMDuino Digital Volt Meter Shield

The KMDuino DVM Shield plugs in on top of the KMDuino MKII to provide a digital Volt Meter capable of accurately measuring DC voltages from 0-30V (can measure more, but for safety we set limit to 30V). Can be incorporated into power supply or other voltage driven projects to monitor voltage.

The kit comes complete with all components, PCB & instruction manual

Price: R 265.00

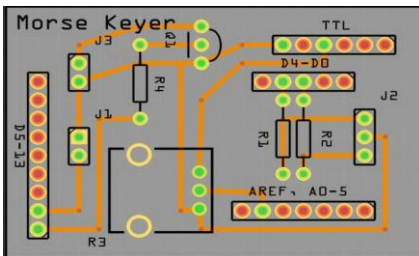


KMDuino ONE ISP Shield

Like the KMDuino Bootloader the KMDuino ONE ISP Shield plugs in on top of the KMDuino ONE to provide for programming blank Atmega chips with a bootloader. The KMDuino ONE ISP Shield is also cross compatible with any Real Arduino as all the header pins are directly mapped to the Arduino UNO specifications.

The kit comes complete with all components, PCB & instruction manual

Price: R 114.00

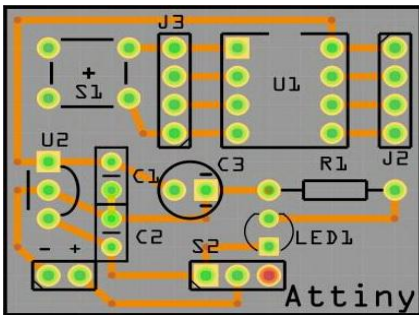


KMDuino CW Iambic Keyer Shield

The KMDuino CW Iambic Keyer Shield plugs in on top of the KMDuino MKII making it into a simple Iambic morse keyer capable of sending dots and dashes at a speed of between 6 and 60 WPM. The circuit provides for open collector keying of the radio.

The kit comes complete with all components, PCB & instruction manual

Price: R 114.00

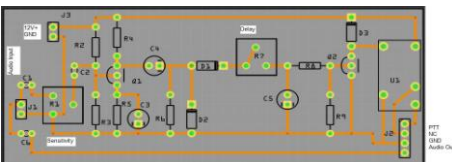


KMDTiny85

The KMDTiny85 uses the 8pin Attiny85 from Atmel to create a mini single board computer capable of running many of the smaller Arduino programs. The versatility of the project board is limitless, from games to power controllers etc.

The kit comes complete with all components, PCB & instruction manual

Price: R 148.00



COR Repeater Controller

The COR Repeater controller kit works on a squelched VHF or UHF radio by feeding the audio from one radio into the controller and then connecting the PTT and Mic of the second radio. Adjustment of sensitivity and delay is provided.

The kit comes with all components, PCB, case, connectors and manual

Price: R 450.00



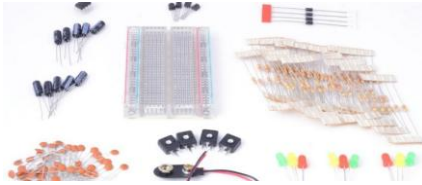
Arduino Starter Kit

The Arduino kit comes complete in a plastic case with the following components

1 X BUONO UNO R3	1 X USB cable	1 X Breadboard
1 X bundle Breadboard Jump wires (Approximately 65 pcs)	1 X Piezo Buzzer	3 X Yellow 3mm LED
1 X Rotary Potentiometer	3 X Red 3mm LED	5 X Mini Push Button
1 X 9v power adapter	3 X Screw and nut	1 X 32.768 KHZ watch crystal
3 X Green 3mm LED	1 X CR2032 battery socket	1 X Photoresistor
1 X 1602 LCD	1 X Thermister	5 X Transistor NPN 2N3906
1 X DS1307 RTC chip	5 X Transistor NPN 2N3904	5 X 22pf Ceramic Capacitor
5 X Diode 1N4007	2 X Transistor NPN BC557	2 X 1 µF /50V Electrolytic Capacitor
2 X Transistor NPN BC547	5 X 10nf Ceramic Capacitor	2 X 100 µF /16V Electrolytic Capacitor
5 X 100nf Ceramic Capacitor	10 X 100 Resistors	10 X 220Ω Resistors
2 X 10 µF /50V Electrolytic capacitor	10 X 2.2 kΩ Resistors	10 X 4.7 kΩ Resistors
10 X 100Ω Resistors	10 X 22 kΩ Resistors	10 X 10 kΩ Resistors
10 X 2.2 kΩ Resistors	10 X 100 kΩ Resistors	10 X 330 kΩ Resistors
10 X 22 kΩ Resistors	1 X 1602 LCD Display	

There is also a collection of projects and instruction material included on CD

Price: R 695.00



Breadboard Starter Kit

The Breadboard Starter Kit comprises a 400 point breadboard, over 150 reusable components and a selection of multicoloured connecting wires. Included is a manual containing training material, five DIY projects and some blank pages for you to design your own projects.

Price: R 262.50

As I develop more projects, the list will grow. If you would like a specific project developed, please contact me...